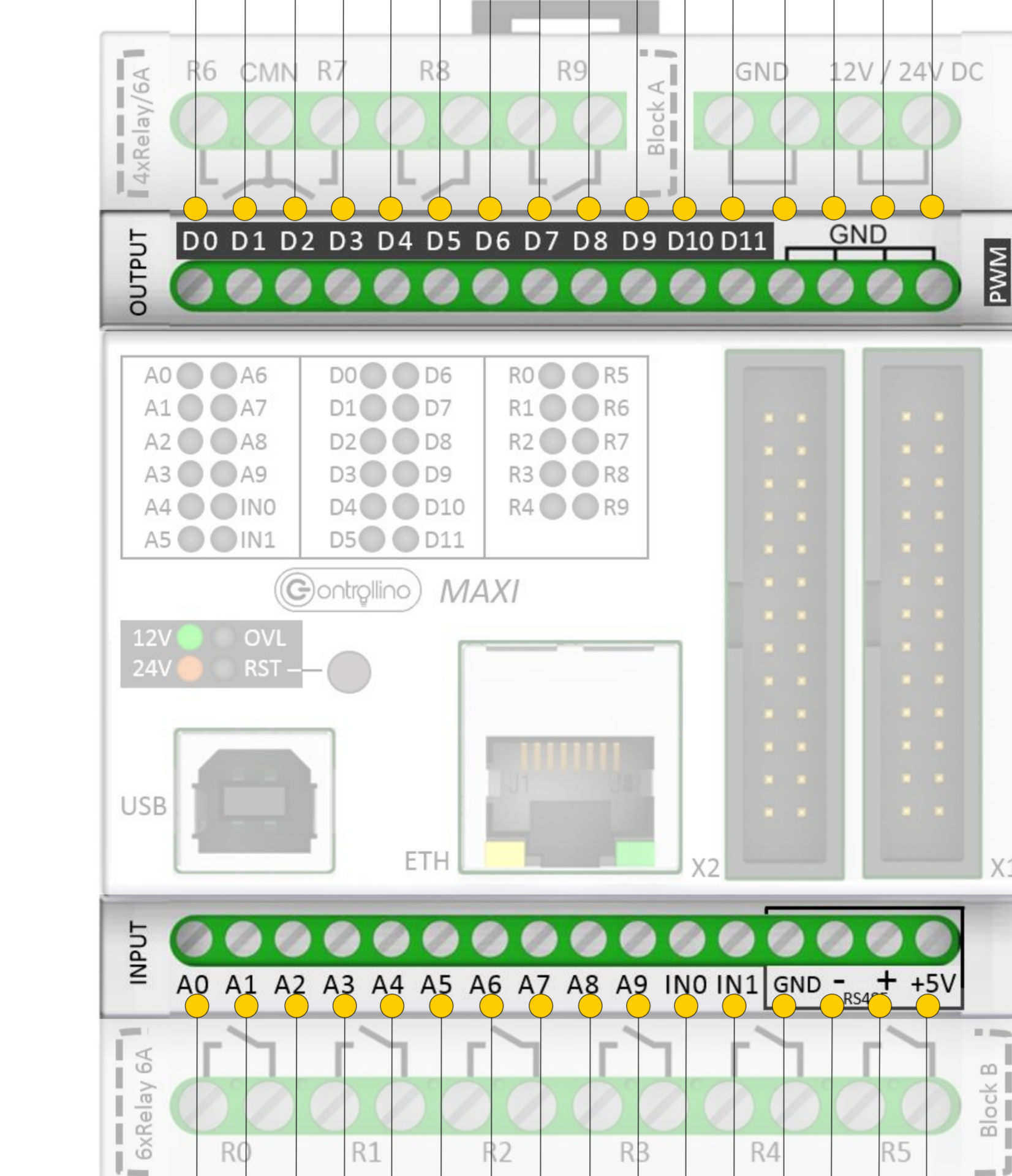
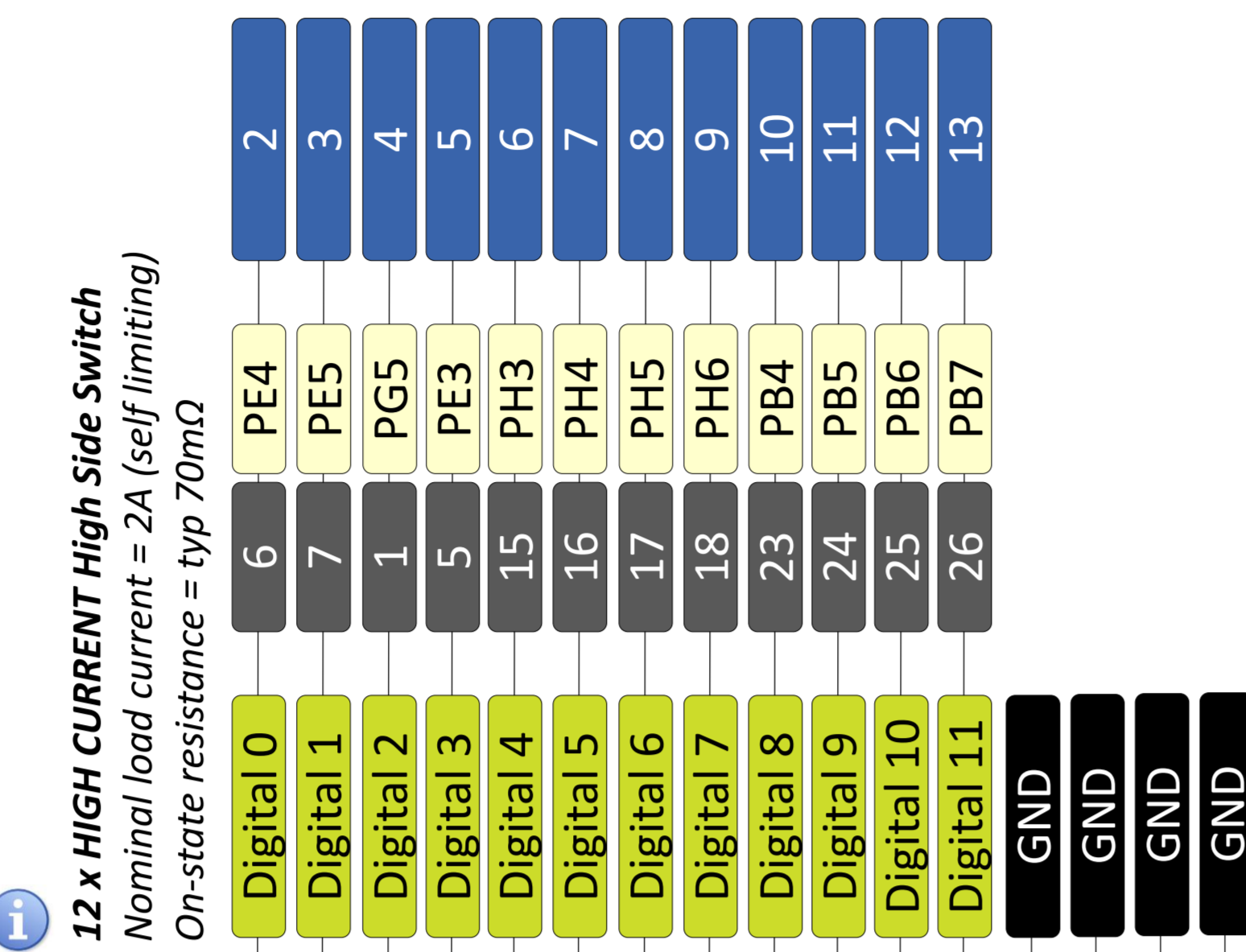
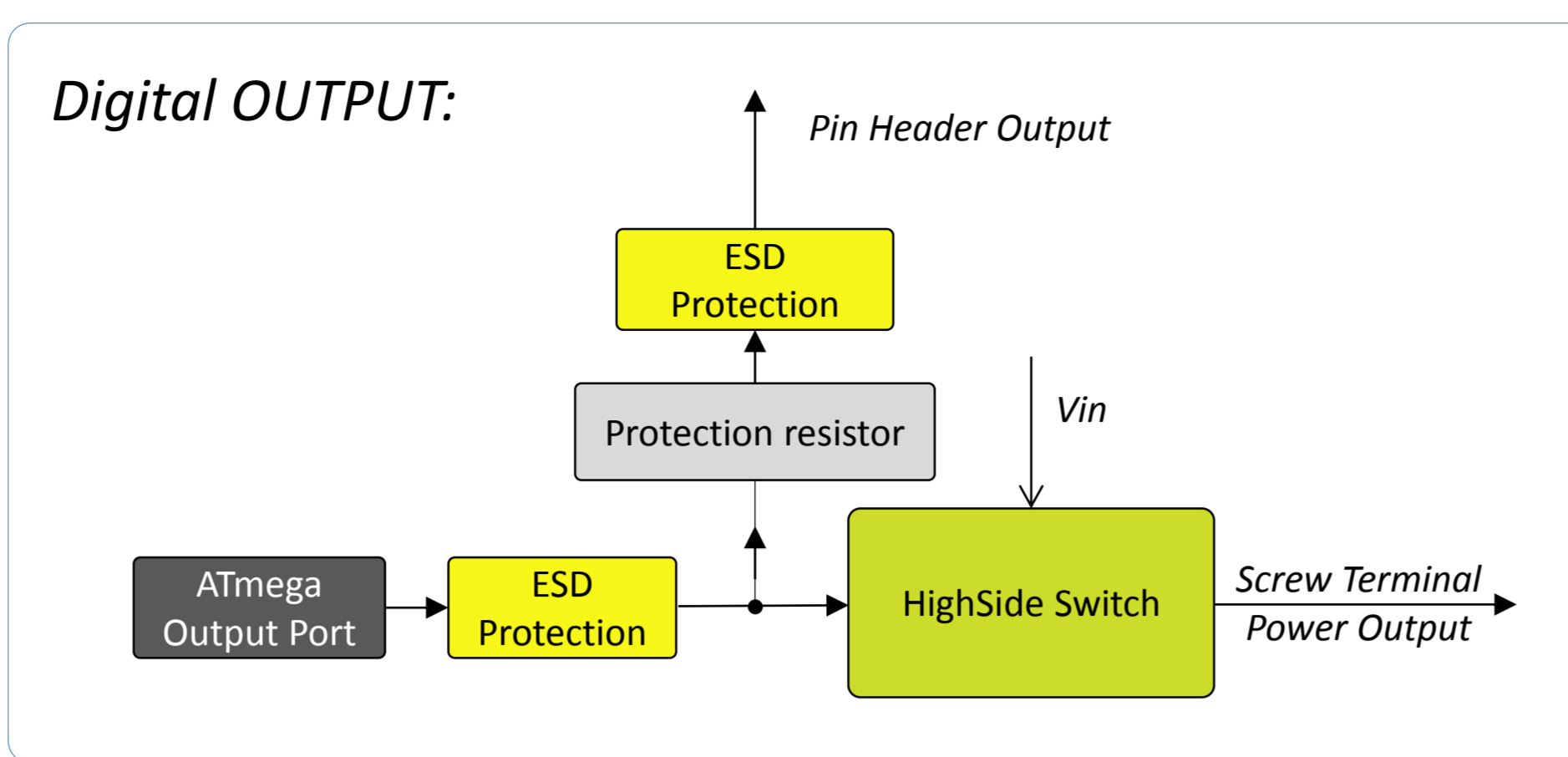
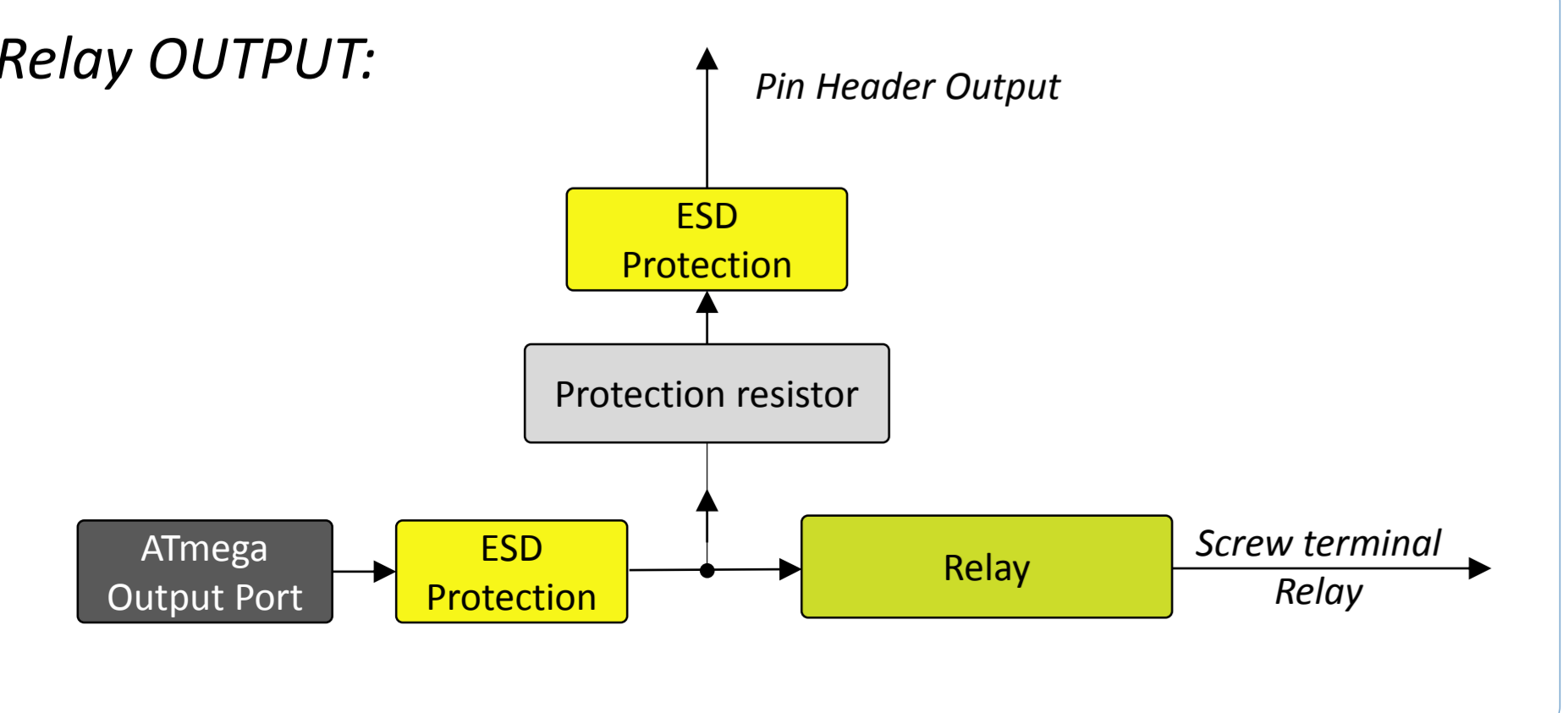
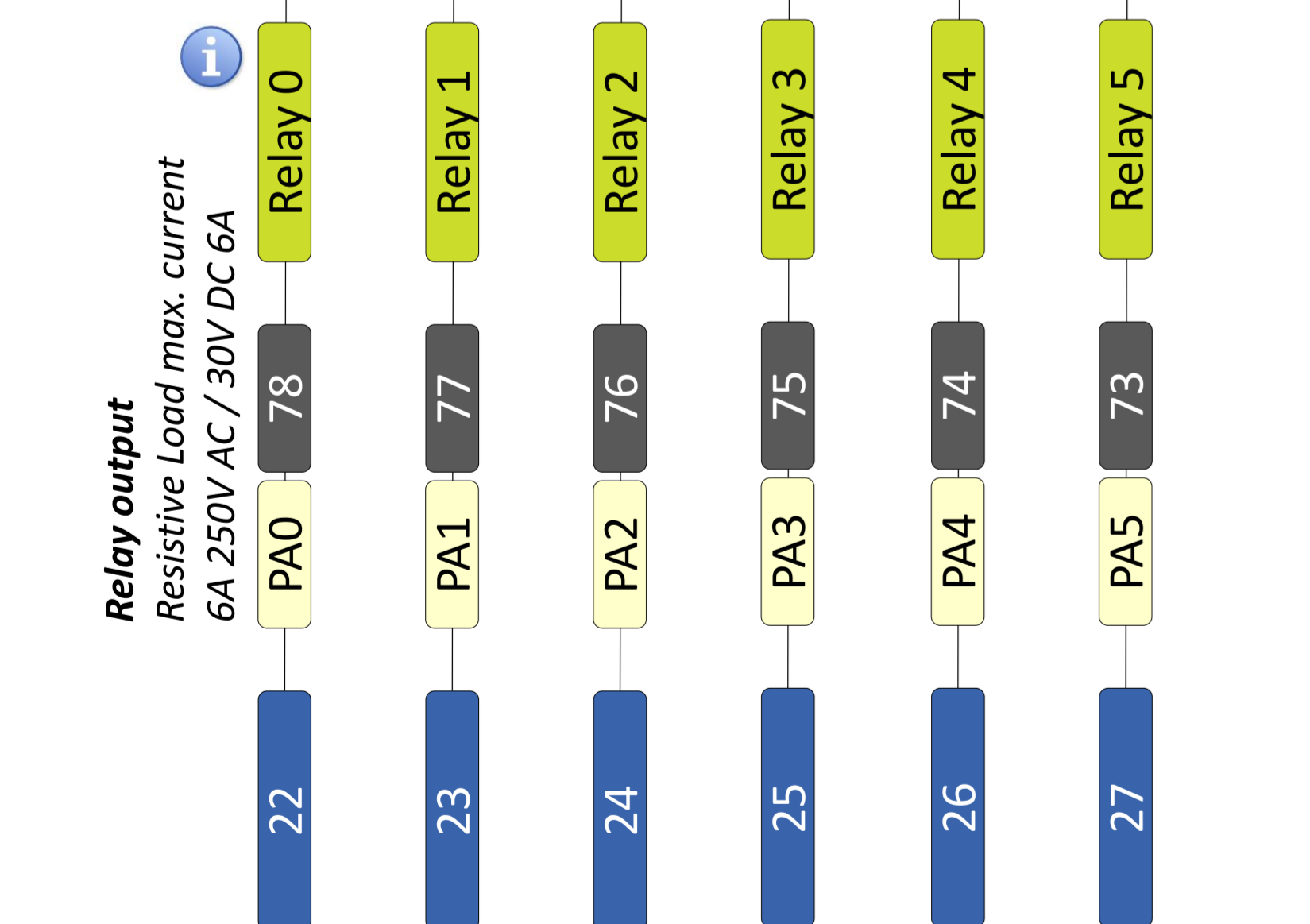
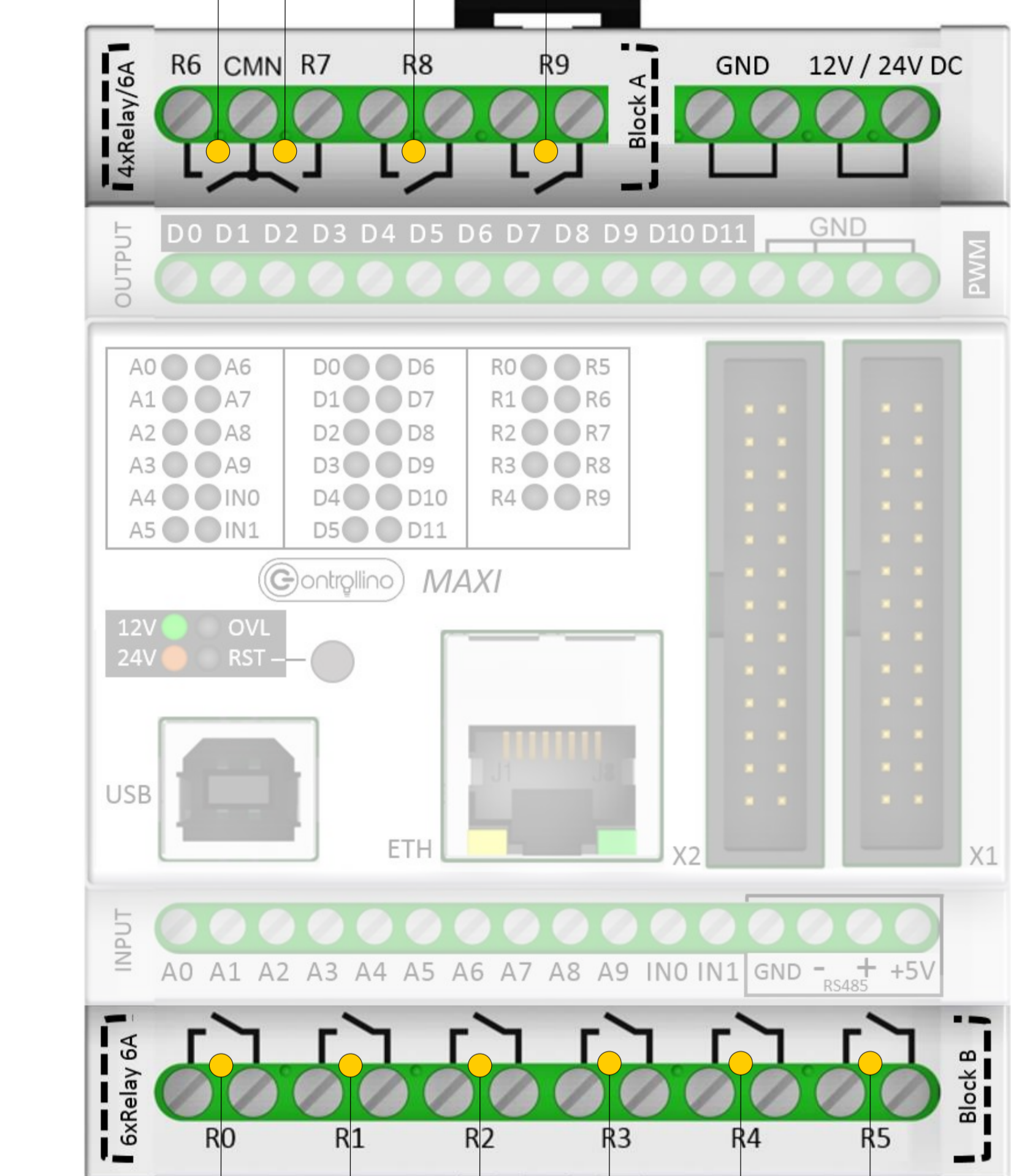
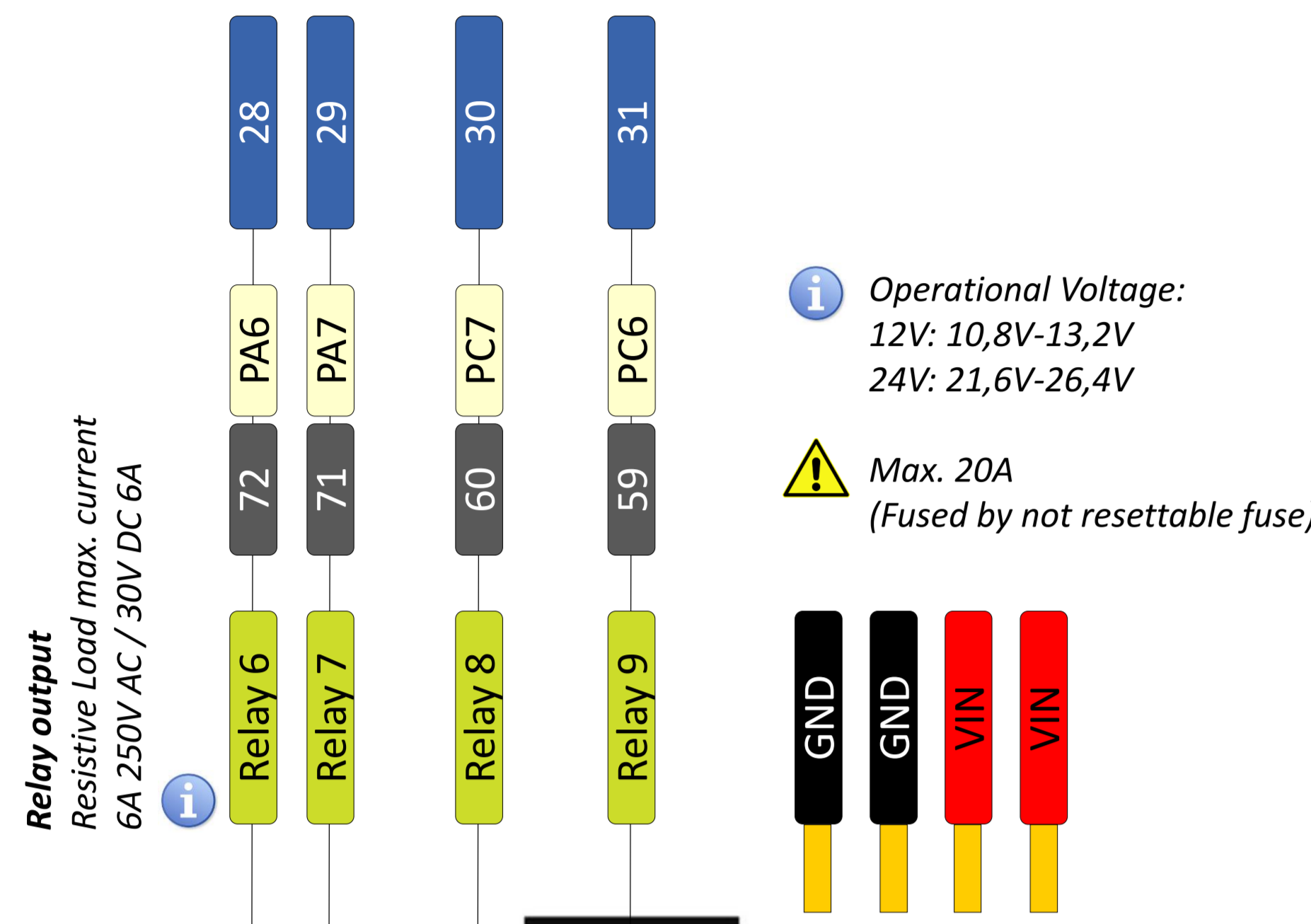
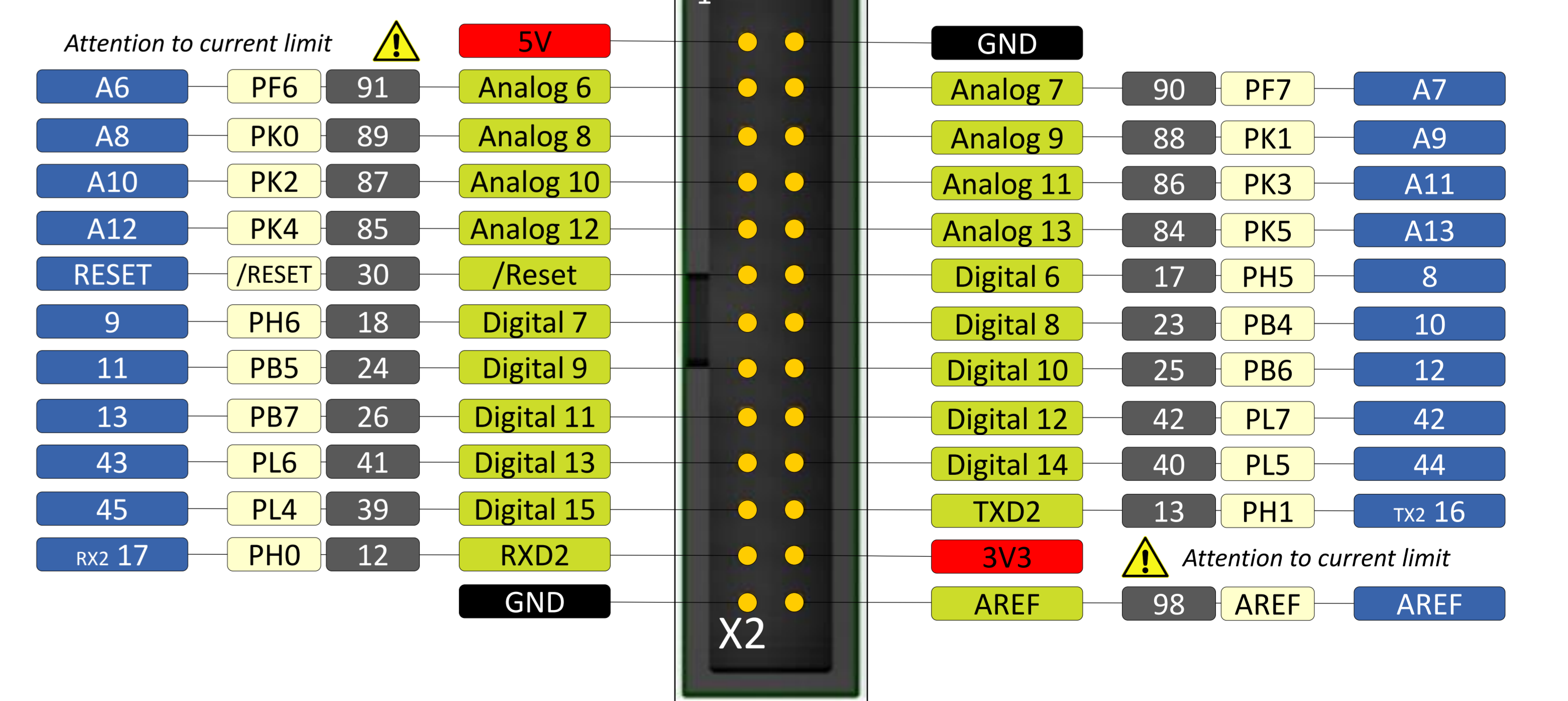
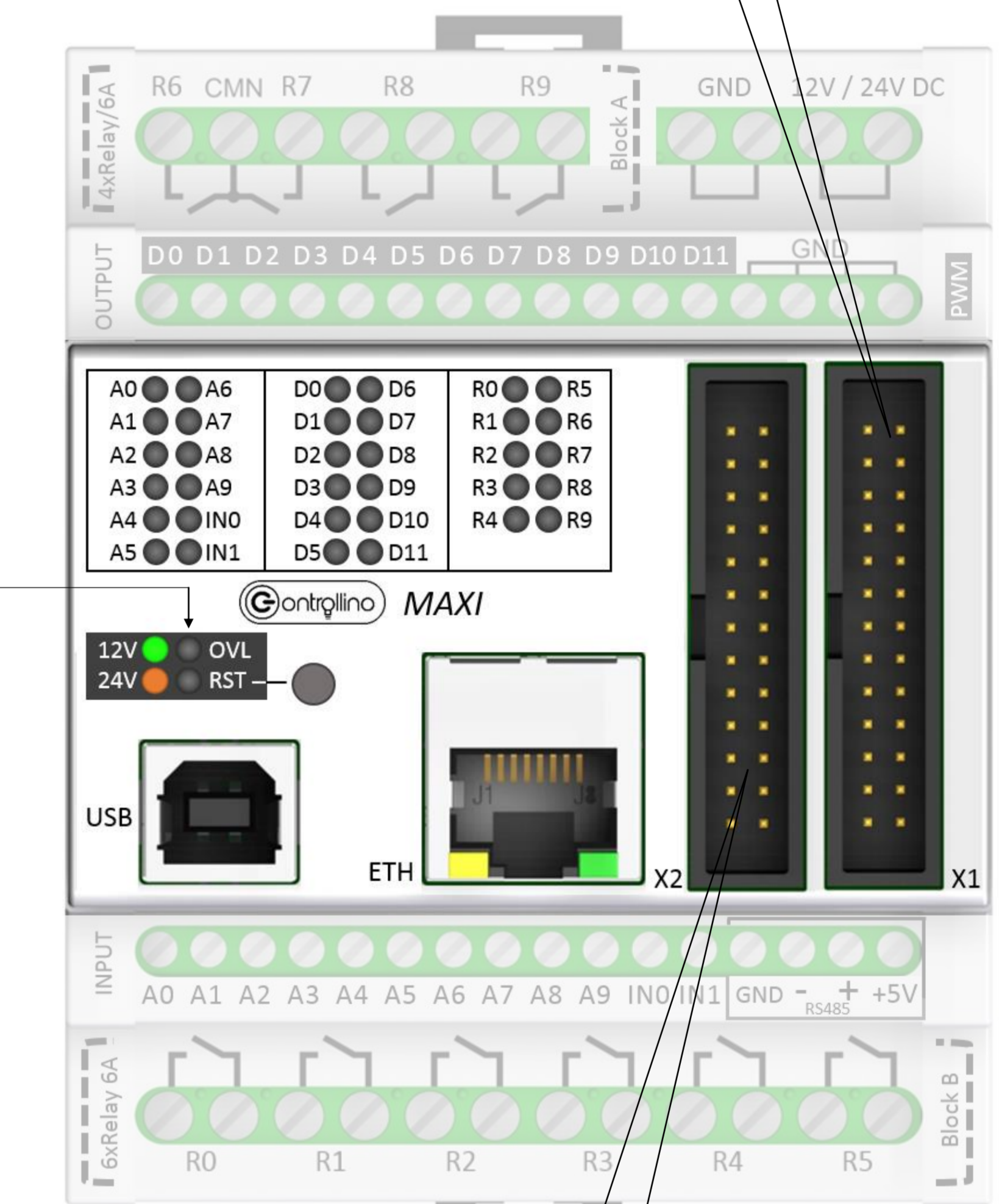
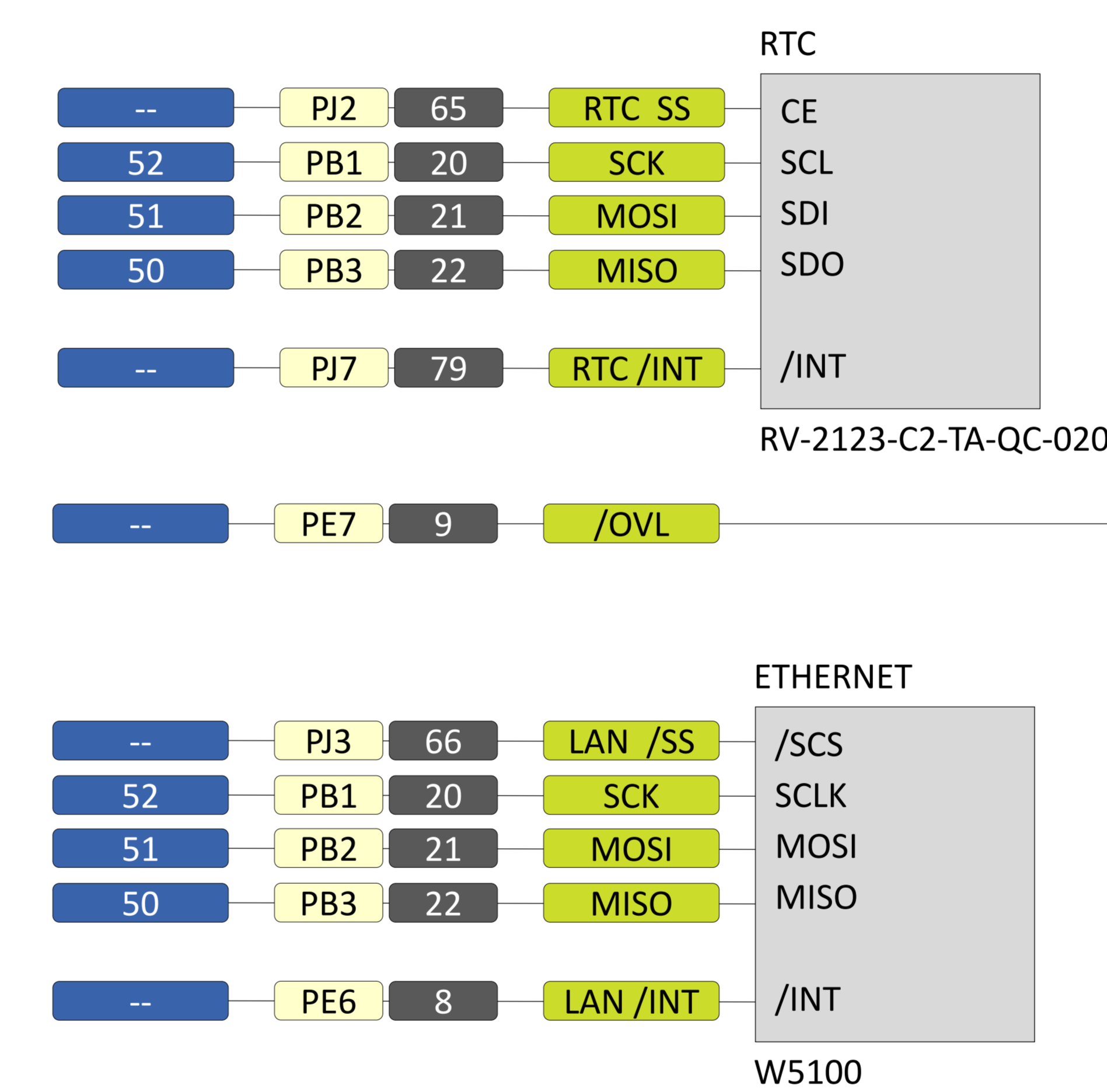
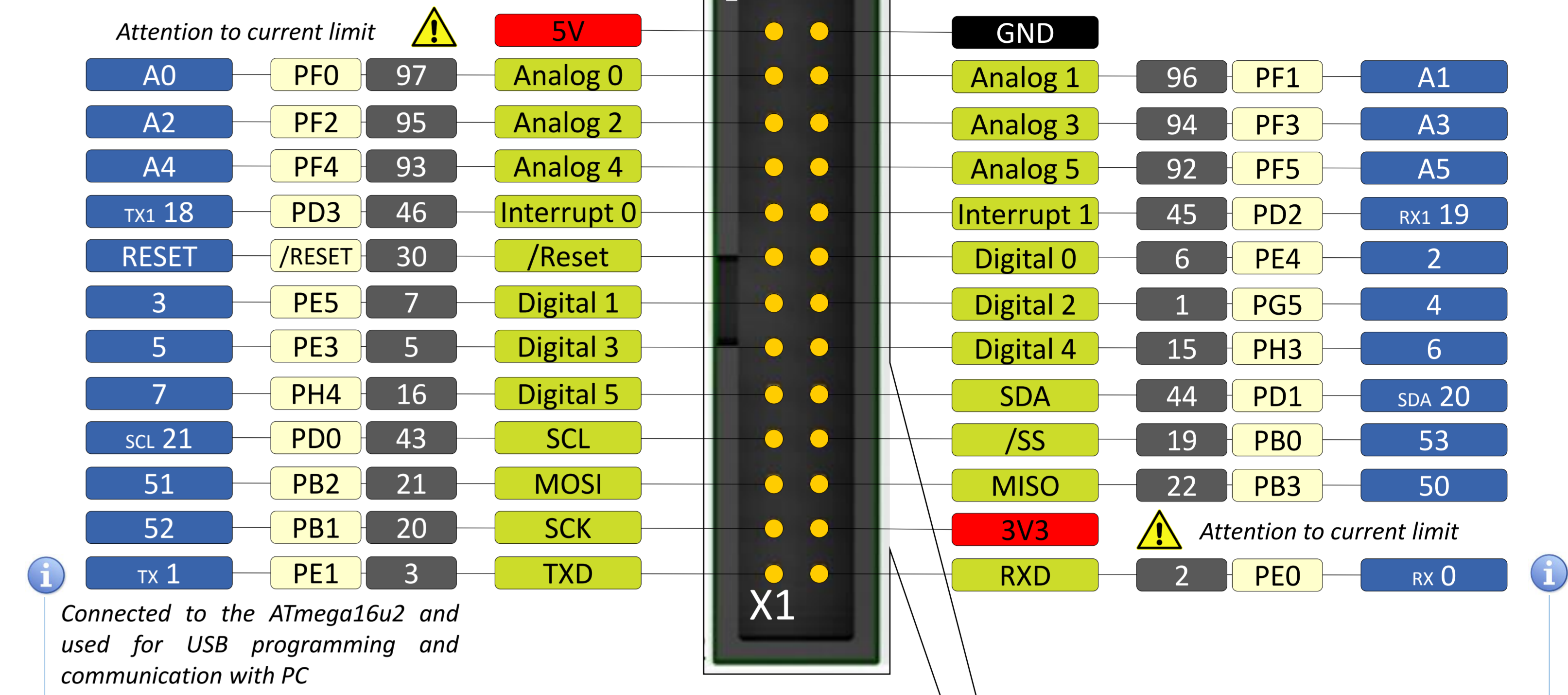
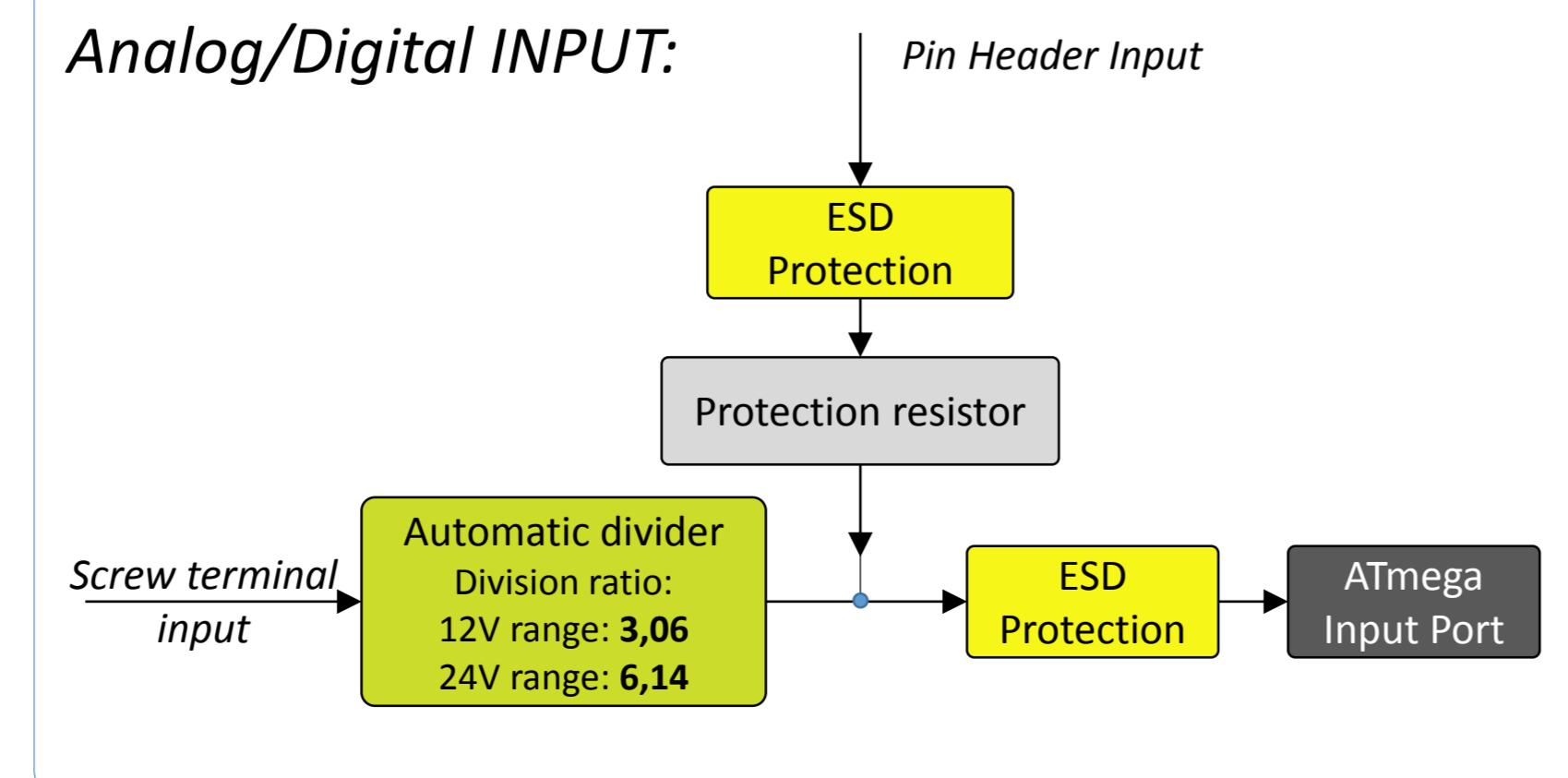
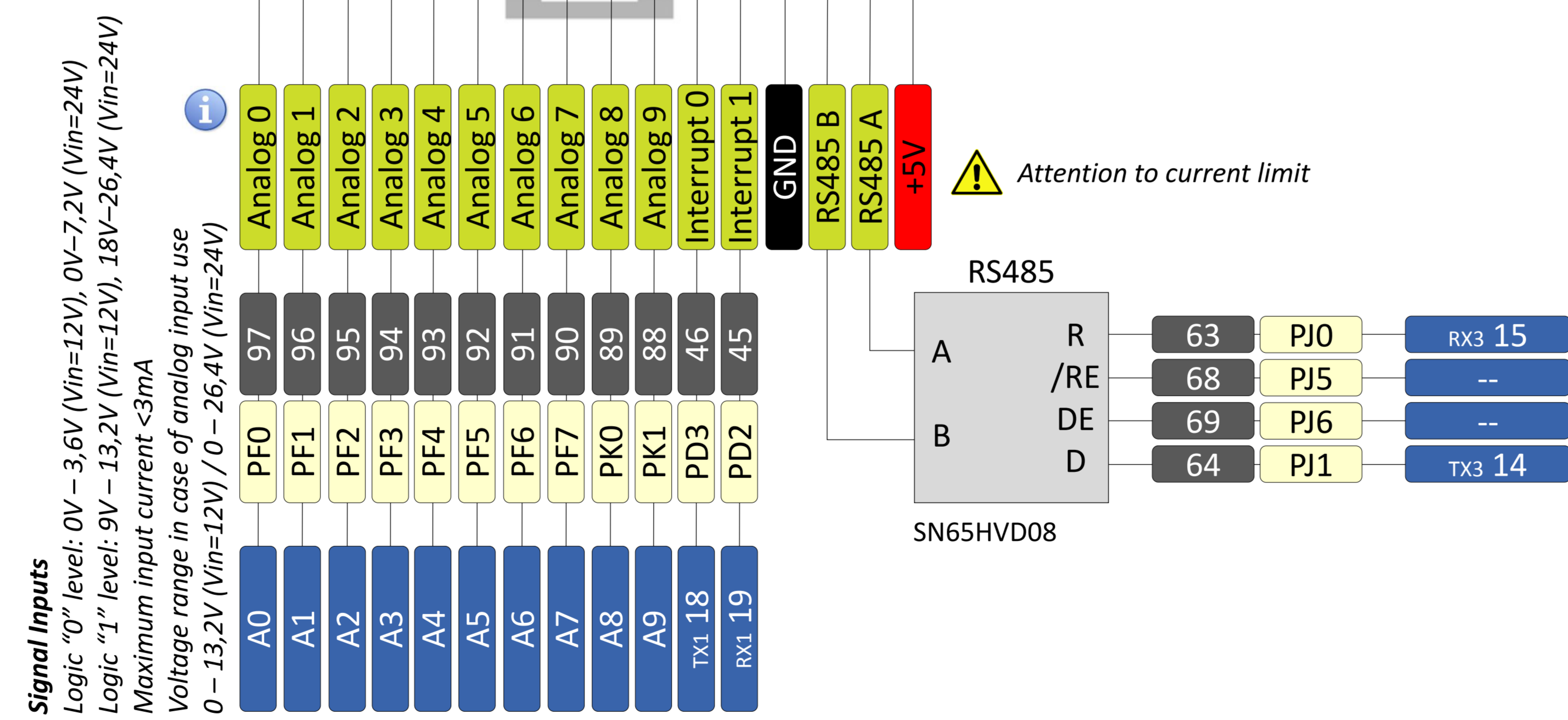




MAXI PINOUT V1.1



Signal Inputs
Logic "0" level: 0V - 3,6V (Vin=12V), 0V - 7,2V (Vin=24V)
Logic "1" level: 9V - 13,2V (Vin=12V), 18V - 26,4V (Vin=24V)
Maximum input current <3mA
Voltage range in case of analog input use
0 - 13,2V (Vin=12V) / 0 - 26,4V (Vin=24V)



Pin Header current limit:
Absolute max per pin 40mA
recommended 20mA
Absolute max 200mA
for entire Pin Header
Current limit @5V + 3V3 max
200mA (Fused by resettable fuse)
Current limit @3V3 only 150mA
All signals are protected with serial
resistance

Legend:

- GND
- POWER
- CONTROLLINO Function
- PHYSICAL PIN
- PORT PIN
- ARDUINO Mega Board

General Information

Pay attention

CHIP used ATmega 2560-16AU